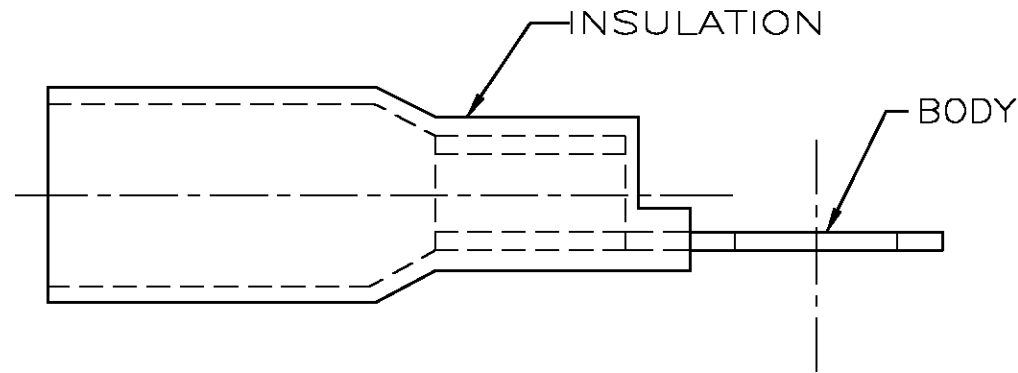
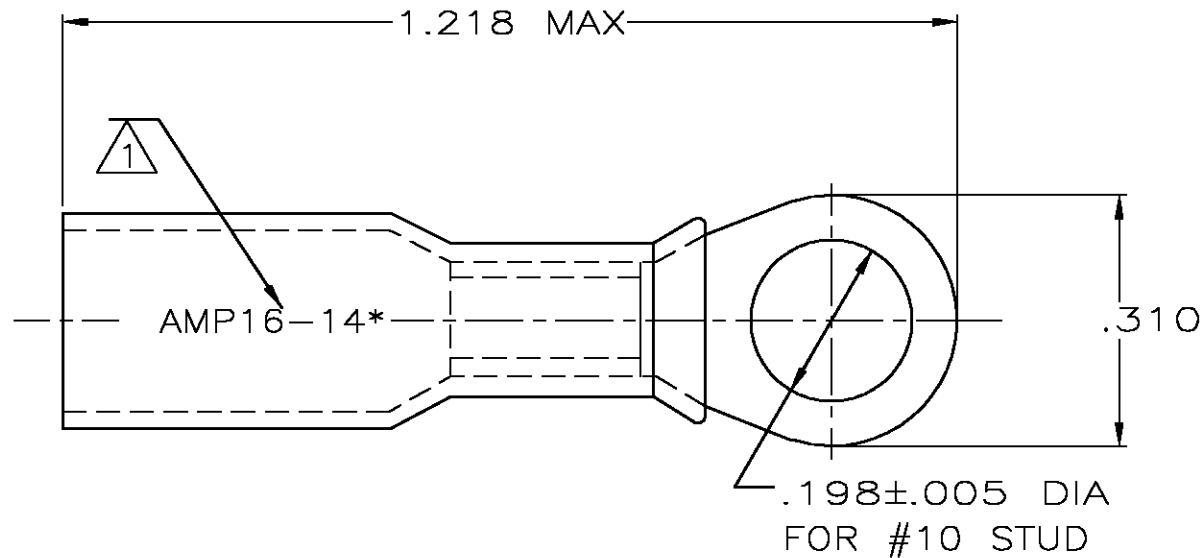


THIS DRAWING IS UNPUBLISHED. RELEASED FOR PUBLICATION ,19  
 © COPYRIGHT 19 BY AMP INCORPORATED. ALL INTERNATIONAL RIGHTS RESERVED.

LOC	DIST	P	F	REVISIONS				
G	14			ZONE	LTR	DESCRIPTION	DATE	APPD
				C		REV PER 0G3A-0001-03	06JAN03	JR TM

<b>AMP</b> WIRE RANGE	Listed	Certified
16-14 AWG STRANDED	16-14 AWG STRANDED	16-14 AWG STRANDED



NOTES:

- 1 STAMP AMP 16-14\* APPROX AS SHOWN
- 2 WIRE INSULATION .190 DIA MAX
- 3 TONGUE MATERIAL THK IS .032±.002
- 4 NO UL APPROVAL AND NO CSA APPROVAL
- 5 PRELIMINARY - NOT FOR PRODUCTION

2500	ON TAPE, REEL	4 2-55852-1 5
50	LOOSE PIECE	8-55852-2
1000	LOOSE PIECE	55852-1
QTY	PACKAGE TYPE	PART NO
DR 6/93 S S GOULDEN	<b>AMP</b> AMP Incorporated Harrisburg, PA 17105-3608	
CHK 6/93 R HERSEY	NAME	
APPD 6/93 B BARE	TERMINAL, RING TONGUE, SEALABLE HEAT SHRINKABLE	
APPD 6/93 M ELLIS	SIZE	CAGE CODE
PRODUCT SPEC	B	00779
APPLICATION SPEC	DRAWING NO	
—	C-55852	
WEIGHT —	SCALE	SHEET
	NTS	1 OF 1

**AMP INCORPORATED  
 CUSTOMER SERVICE SYSTEMS**

FOR ADDITIONAL PRODUCT INFORMATION OR COPIES OF DRAWINGS AND TECHNICAL DOCUMENTS	PRODUCT INFORMATION CENTER 1-800-522-6752
FOR APPLICATION TOOLING INFORMATION	TOOLING ASSISTANCE CENTER 1-800-722-1111
FOR ORDER ENTRY	1-800-526-5142

MAX RECOMMENDED OPERATING  
TEMPERATURE:  
125° C MAX

VOLTAGE RATING:  
600V MAX (BUILDING WIRING)  
1000V MAX (FIXTURES & SIGNS)

CIRCULAR MIL AREA:  
1.04-2.62mm<sup>2</sup> [2050-5180]  
STRANDED

DO NOT SCALE PRINT.  
UNLESS SPECIFIED  
DIMENSIONS ARE IN INCHES  
TOLERANCES ON:  
2 PLC DEC ± .008  
3 PLC DEC ± -  
ANGLES ± -

MATERIAL  
BODY: ETP COPPER  
INSULATION: POLYOLEFIN  
COLOR: BLUE

FINISH  
EDP TIN PLATED

THIS DRAWING IS A CONTROLLED DOCUMENT FOR  
AMP INCORPORATED. IT IS SUBJECT TO CHANGE  
AND THE CONTROLLING ENGINEERING ORGANIZATION  
SHOULD BE CONTACTED FOR THE LATEST REVISION.